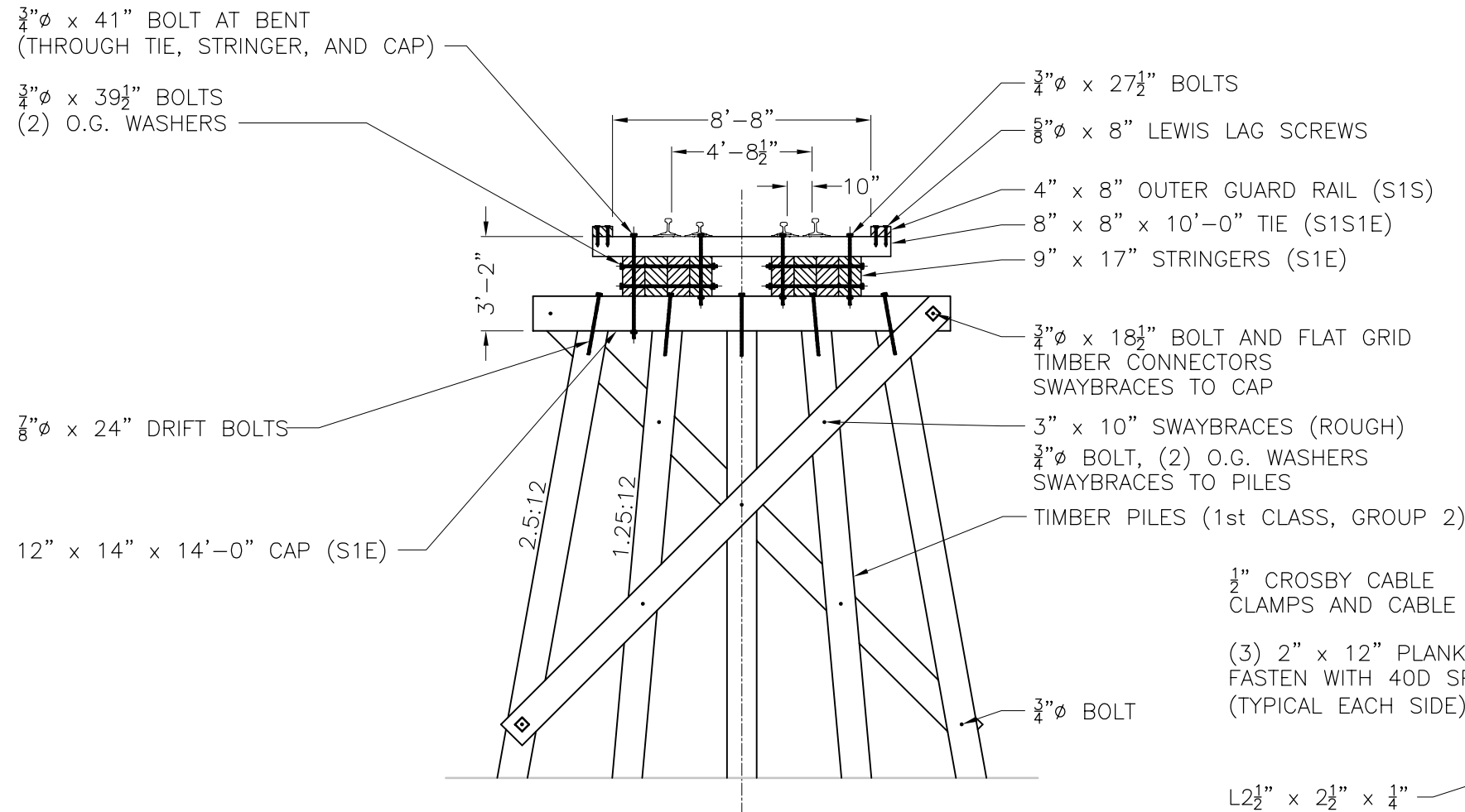


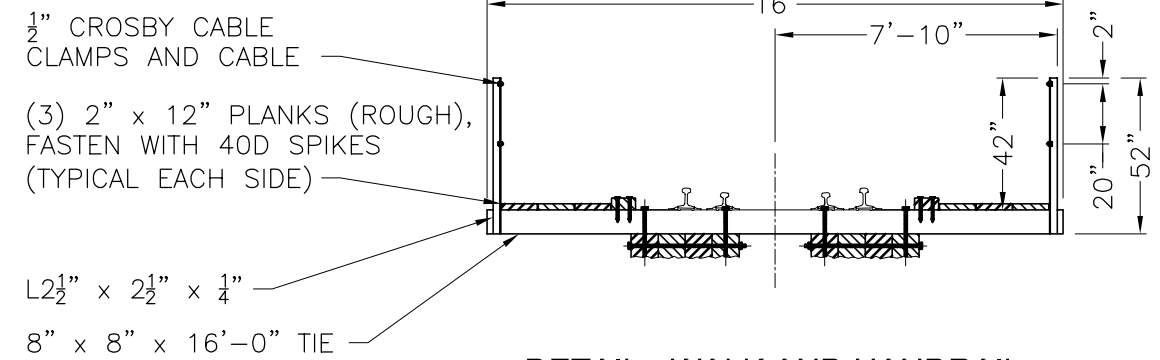
NOTES

1. ALL BRIDGE TIMBERS, PILES, AND PLANKS TO BE CREOSOTE TREATED PER AWPA C-2 (8 PCF).
2. ALL CUT SURFACES IN TREATED TIMBER TO BE GIVEN TWO COATS HOT PRESERVATIVE (CREOSOTE).
3. SEE SHEET 3 (100.12) FOR SPECIFICATIONS ON TIMBER.
4. HEADS OF PILES MUST BE CHAMFERED AND CUT SURFACES PAINTED WITH 2 COATS OF HOT PRESERVATIVE AND COVERED WITH A THICK COATING OF PLASTIC CEMENT BEFORE PLACING CAP.
5. STRINGERS MUST BE PLACED WITH "CAMBER" UP.
6. BENTS OVER 20' FROM B.R. TO GROUND SHOULD BE "SASH BRACED."
7. TRESTLE BELOW 8'-0" IN HEIGHT FROM GROUND TO TOP OF CAP NEED NEITHER TRANSVERSE NOR LONGITUDINAL BRACING. BETWEEN 8'-0" AND 18'-0" ONLY TRANSVERSE BRACING. ABOVE 18'-0" BOTH TRANSVERSAL AND LONGITUDINAL BRACING.
8. SIZE ALL PILES TO 12" AT INTERSECTION WITH BRACES.



SECTION - OPEN DECK PILE TRESTLE

FOR BENTS 8' TO 18'
SCALE: 3/16" = 1'-0"



DETAIL - WALK AND HANDRAIL

EVERY 4th TIE TO BE 8" x 8" x 16'-0"
FOR WALKWAY AND HANDRAIL
SCALE: 3/16" = 1'-0"

ALASKA RAILROAD CORPORATION OFFICE OF THE CHIEF ENGINEER P.O. BOX 107500, ANCHORAGE, ALASKA 99510-7500 (907) 265-2456		
STANDARD OPEN DECK PILE TRESTLE (E-60 LOADING)		
APPROVED:	DATE:	
DESIGNED BY:	SCALE: AS NOTED	FILE: s100-10.dwg
DRAWN BY: BBF		100.10
APPROVED BY: ENG DEPT	DATE: 7/30/2002	