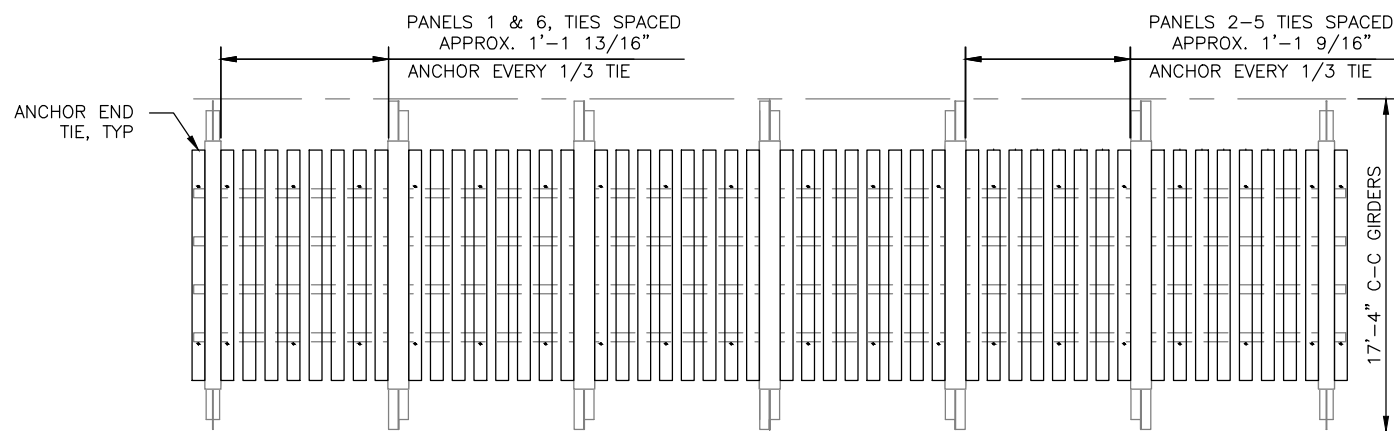
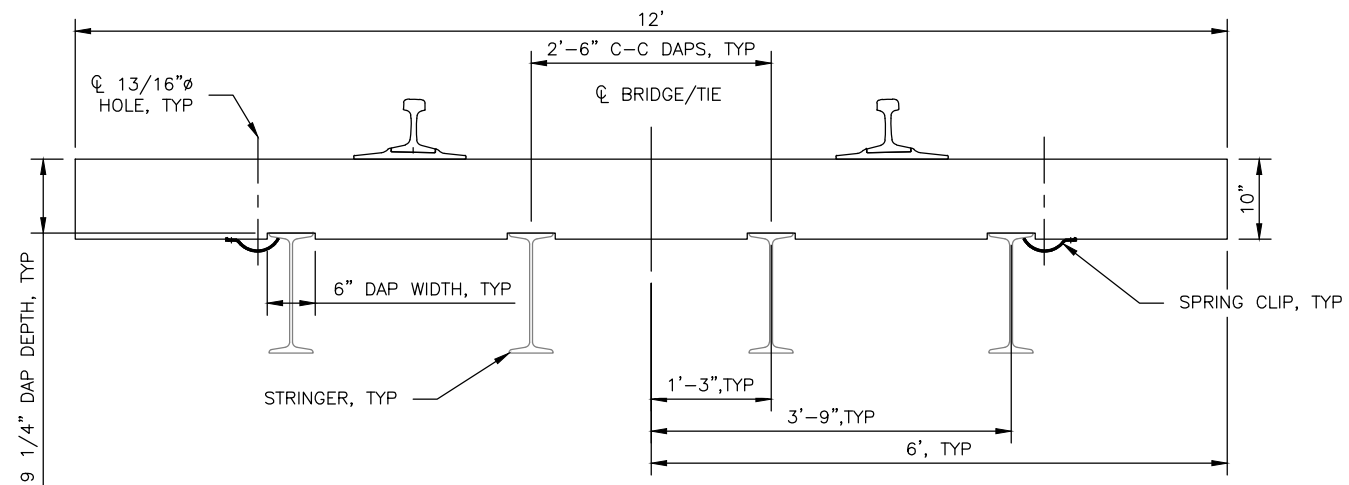


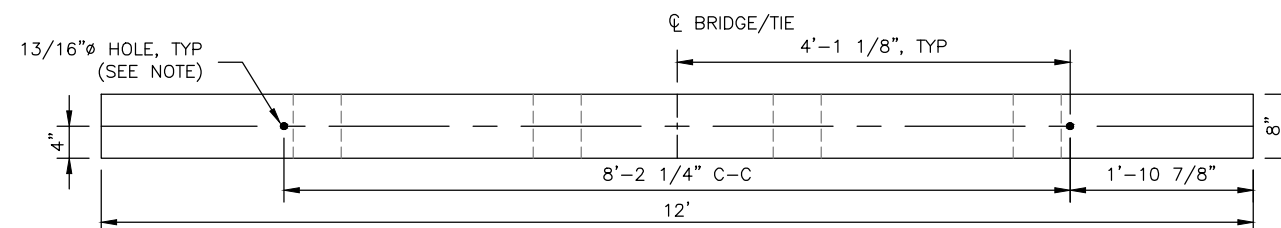
A ELEVATION
1 SCALE: 1"=10'



B PLAN VIEW
1 SCALE: 1"=10'



C BRIDGE TIE SECTION VIEW
1 SCALE: 1/2"=1'-0"



D TIE PLAN VIEW
1 SCALE: 1/2"=1'-0"

NOTE:
20 TIES REQUIRE HOLES FOR BOLTS



ALASKA RAILROAD CORPORATION
ENGINEERING SERVICES
P.O. BOX 107500, ANCHORAGE, ALASKA 99510-7500

PROJECT:
BR 241.7
TIE DECK REPLACEMENT
TITLE:
ELEVATION, PLAN VIEW AND
TIE DETAILS

DESIGNED BY: <u>DJS</u>	SCALE : AS NOTED	AFE NO.:
DRAWN BY: <u>DJS</u>	DATE : 2/22/22	ACAD FILE:
CHECKED BY: _____		DWG NO.
APPROVED BY: _____		1 OF 1