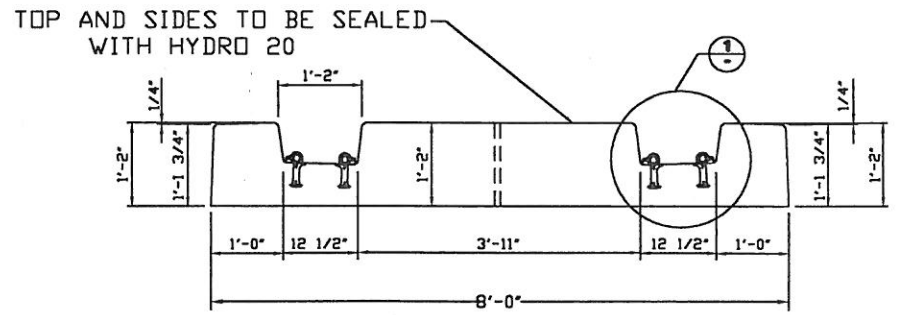


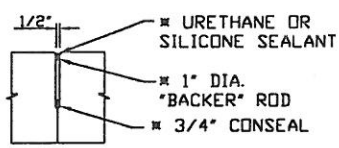
**PLAN VIEW**  
3/8" = 1'-0"



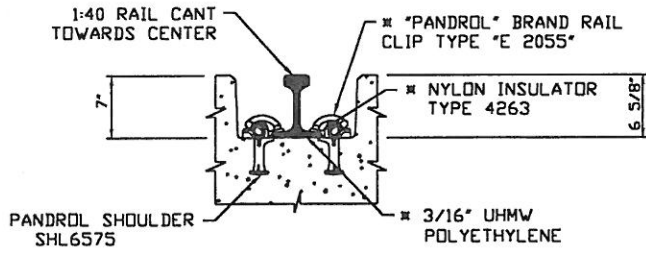
**SECTION A-A**  
3/8" = 1'-0"  
FOR REINFORCING DETAILS  
SEE DWG # C17-401



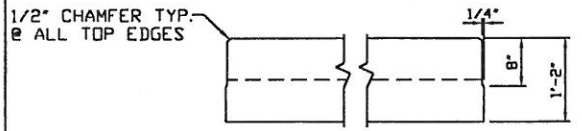
\* THESE ITEMS ARE SUPPLIED BY AMCOR PRECAST CO. AND INSTALLED BY OTHERS.



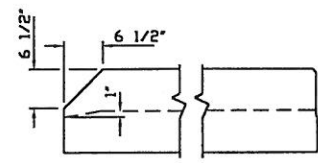
**JOINT DETAIL**  
N.T.S.



**DETAIL W/ 115# AREA RAIL**  
N.T.S.



**TYPICAL END DETAIL**  
THIS DETAIL IS USED ON ALL STANDARD PIECES  
QUANTITY = 1828 PCS.

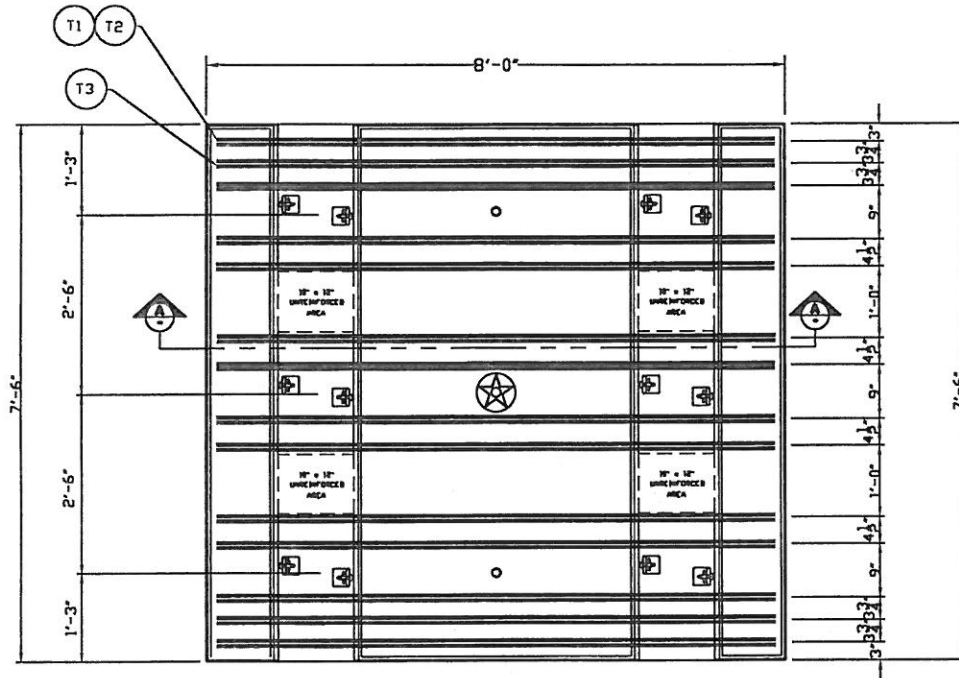


**SLOPED END DETAIL**  
THE SLOPE DETAIL IS USED ON ONE END OF AN END PIECE ONLY  
QUANTITY = 2 PCS.

**DESIGN NOTES:**

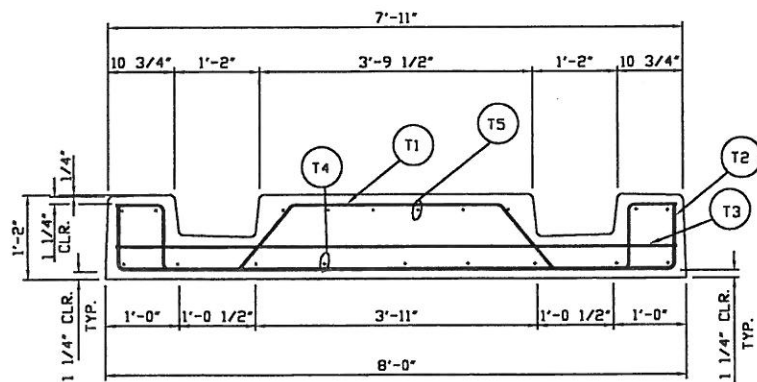
- DESIGN LOADINGS:
  - AASHTO HS-20-44, W/ IMPACT
  - SOIL WEIGHT = 120 PSF
  - EQUIVALENT FLUID PRESSURE = 45 PCF
  - 80 PSF LATERAL LIVE LOAD SURCHARGE
  - COPPER E-TRACK LOAD
- CONCRETE 28 DAY COMPRESSIVE STRENGTH SHALL BE 6000 PSI (MIN.)
- STEEL REINFORCEMENT: REBAR, ASTM A-615 GRADE 60
- TYPE III CEMENT

DRAWN BY: JS	DATE: 05/25/99	PAGE 1 OF 1
SOLD BY: JIM BAKER	DWG NAME: C19-406	SCALE: 3/8" = 1'-0"
<b>STARTRACK II - 7'-6"</b> <b>PRODUCT DETAILS</b>		
STARTRACK	9,074 LBS	
TOTAL	9,074 LBS	
THIS DRAWING IS THE PROPERTY OF AMCOR PRECAST. IT IS SUBMITTED FOR REFERENCE PURPOSES ONLY AND SHALL NOT BE USED IN ANY WAY INJURIOUS TO THE INTERESTS OF SAID COMPANY.		
CHECKED BY:	DATE	
REVISION DATE:	ORDER#	
 DIVISION OF <b>Oldcastle® Precast, Inc.</b> 8392 RIVERVIEW PARKWAY LITTLETON, CO 80125 PHONE: (303) 791-1100		



**PLAN VIEW**

3/8" = 1'-0"



**SECTION**

3/8" = 1'-0"  
FOR PRODUCT DETAILS  
SEE DWG # C19-406

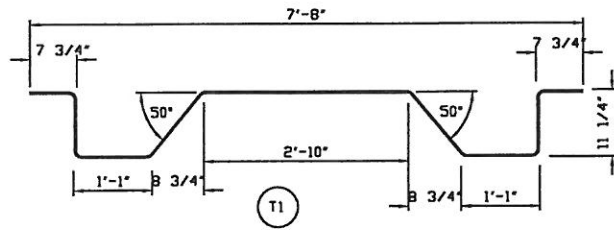
**DESIGN NOTES:**

- 1) DESIGN LOADINGS:
  - A. AASHTO HS-20-44, W/ IMPACT
  - B. SOIL WEIGHT = 120 PSF
  - C. EQUIVALENT FLUID PRESSURE = 45 PCF
  - D. 80 PSF LATERAL LIVE LOAD SURCHARGE
  - E. COPPER E-TRACK LOAD
- 2) CONCRETE 28 DAY COMPRESSIVE STRENGTH SHALL BE 6000 PSI (MIN.)
- 3) STEEL REINFORCEMENT: REBAR, ASTM A-615 GRADE 60
- 4) TYPE III CEMENT

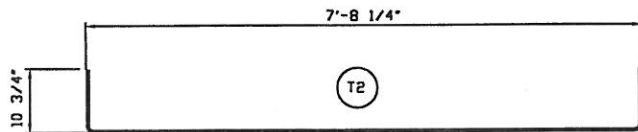
DRAWN BY: JS	DATE: 05/14/99	PAGE 1 OF 2
SOLD BY: JIM BAKER	DWG NAME: C17-401	SCALE: 3/8" = 1'-0"

<b>STARTRACK II - 7'-6"</b>	
<b>REINFORCEMENT DETAILS</b>	
STARTRACK	9,074 LBS
TOTAL	9,074 LBS

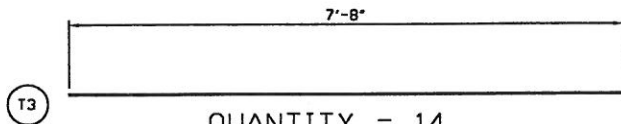
THIS DRAWING IS THE PROPERTY OF AMCOR PRECAST. IT IS SUBMITTED FOR REFERENCE PURPOSES ONLY AND SHALL NOT BE USED IN ANY WAY INJURIOUS TO THE INTERESTS OF SAID COMPANY.	CHECKED BY:	DATE
	REVISION DATE: 05/21/JS	ORDER#



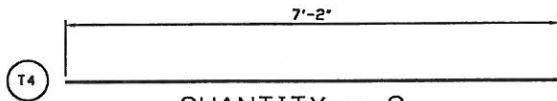
QUANTITY = 14  
#4 BAR



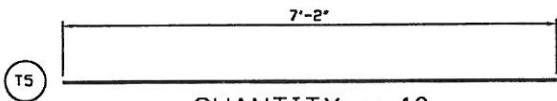
QUANTITY = 14  
#5 BAR



QUANTITY = 14  
#4 BAR



QUANTITY = 9  
#4 BAR @ 10 1/2" O.C.



QUANTITY = 10  
#5 BAR @ 7 1/2" O.C.

**STEEL DETAILS**

3/8" = 1'-0"



DRAWN BY: JS	DATE: 05/14/99	PAGE 2 OF 2
SOLD BY: JIM BAKER	DWG NAME: C17-401	SCALE: 3/8" = 1'-0"
<b>STARTRACK II - 7'-6"</b> <b>REINFORCEMENT DETAILS</b>		
STARTRACK	9,074 LBS	
TOTAL	9,074 LBS	
<small>THIS DRAWING IS THE PROPERTY OF AMCOR PRECAST. IT IS SUBMITTED FOR REFERENCE PURPOSES ONLY AND SHALL NOT BE USED IN ANY WAY INJURIOUS TO THE INTERESTS OF SAID COMPANY.</small>		CHECKED BY: _____ DATE _____
		REVISION DATE: 05/21/JS ORDER# _____
<b>AMCOR</b> <i>Precast</i> COLORADO DIVISION 8392 RIVERVIEW PARKWAY LITTLETON, CO 80125 PHONE: (303) 791-1100		DIVISION OF Oldcastle® Precast, Inc.