

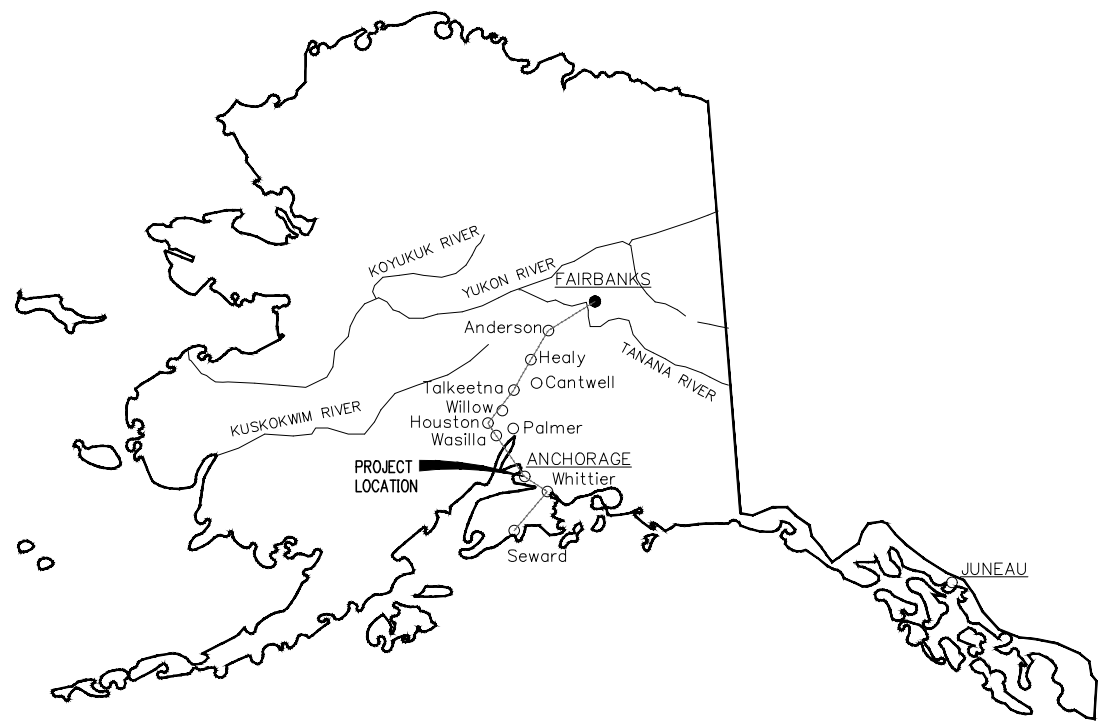
ALASKA RAILROAD CORPORATION

CAPITAL PROJECTS

P.O. BOX 107500, ANCHORAGE, ALASKA 99510-7500

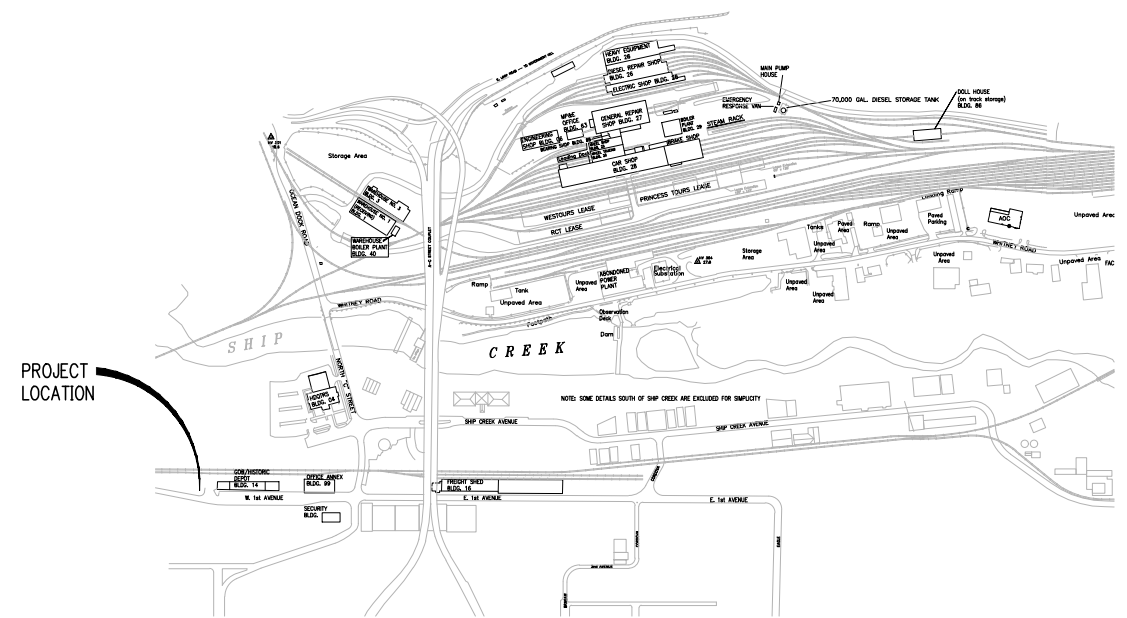
2021 TRANSIT SECURITY DEPOT DRIVE TRESPASSING MITIGATION FENCE

MAY 2021



VICINITY MAP

NTS



SITE MAP

NTS

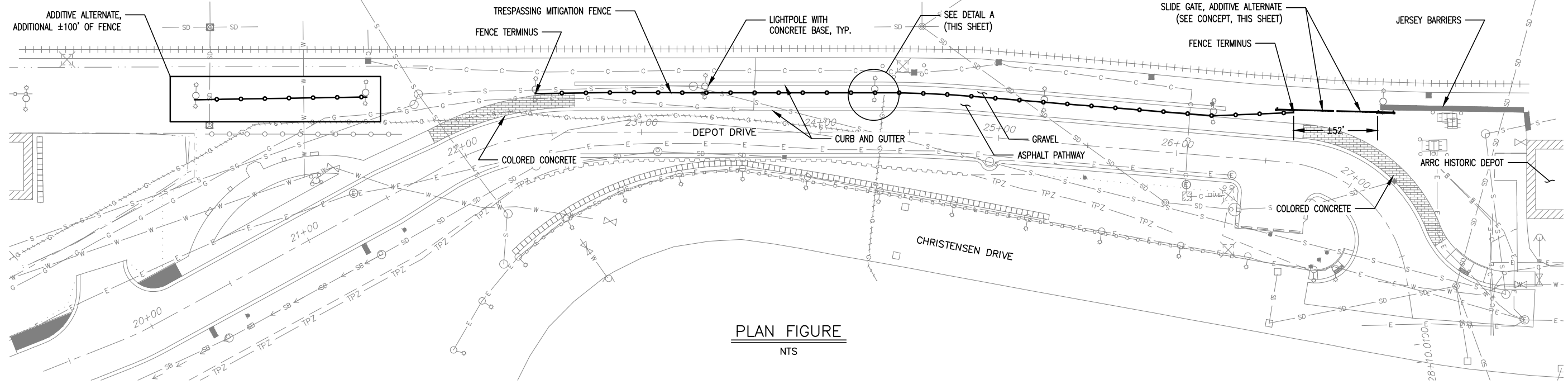


ALASKA RAILROAD CORPORATION		
ENGINEERING SERVICES		
P.O. BOX 107500, ANCHORAGE, ALASKA 99510-7500		
PROJECT :		
2021 TRANSIT SECURITY DEPOT DRIVE TRESPASSING FENCE		
TITLE:		
COVER		
DESIGNED BY:	RJB	SCALE :
DRAWN BY:	RJB	AS NOTED
CHECKED BY:	DJR	DATE :
APPROVED BY:	BAO	June 3, 2021
		A/E NO.:
		11917
		DWG NO.
		1 OF 3

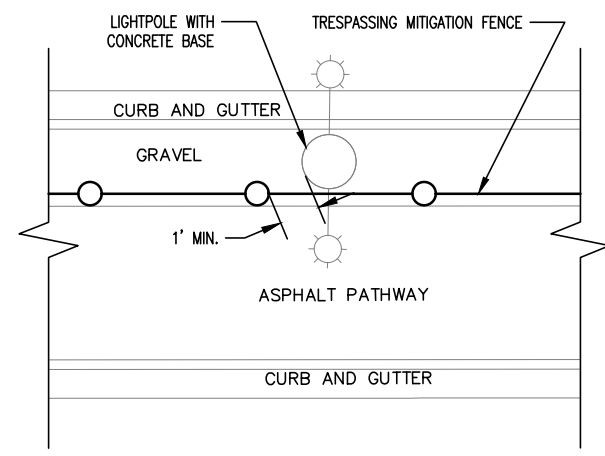
CALL BEFORE YOU DIG

THE CONTRACTOR SHALL NOTIFY ALL AREA UTILITY COMPANIES PRIOR TO COMMENCEMENT OF EXCAVATION.

ALASKA DIGLINE, INC.
STATEWIDE TOLL FREE 1-800-478-3121



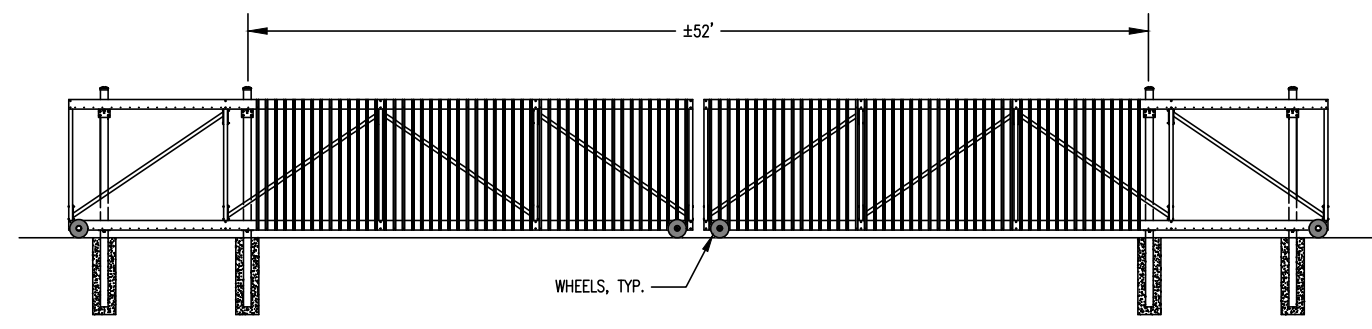
PLAN FIGURE
NTS



DETAIL A
NTS

NOTES:

1. THIS FIGURE AND DETAILS ARE FOR PLANNING PURPOSES ONLY. NO SURVEY HAS BEEN CONDUCTED AND ALL INFORMATION SHOWN IS APPROXIMATE.
2. NUMEROUS EXISTING UTILITIES ARE NOT SHOWN IN THIS FIGURE. ALL UTILITIES SHOWN ARE APPROXIMATE AND HAVE NOT BEEN FIELD VERIFIED OR SURVEYED. THE CONTRACTOR IS RESPONSIBLE FOR CONDUCTING LOCATES AND FIELD VERIFYING ALL UTILITY LOCATIONS WITHIN THE PROJECT LIMITS PRIOR TO COMMENCING WORK.
3. INSTALL APPROXIMATELY 425 FEET OF FENCE WHERE SHOWN IN THE PLANS AND AS DIRECTED BY THE ENGINEER. AN ADDITIONAL 100 FEET OF FENCE MAY BE INCORPORATED AS AN ADDITIVE ALTERNATE.
4. FENCE POST LOCATIONS MUST BE APPROVED BY THE ENGINEER BEFORE GROUND MAY BE DISTURBED.
5. SLIDE GATE LOCATION AND DESIGN MUST BE APPROVED BY THE ENGINEER PRIOR TO FURNISHING.
6. FENCE POSTS SHALL BE A MINIMUM OF 1 FOOT CLEAR OF LIGHT POLE BASES (FENCE PANELS MAY BE CLOSER).



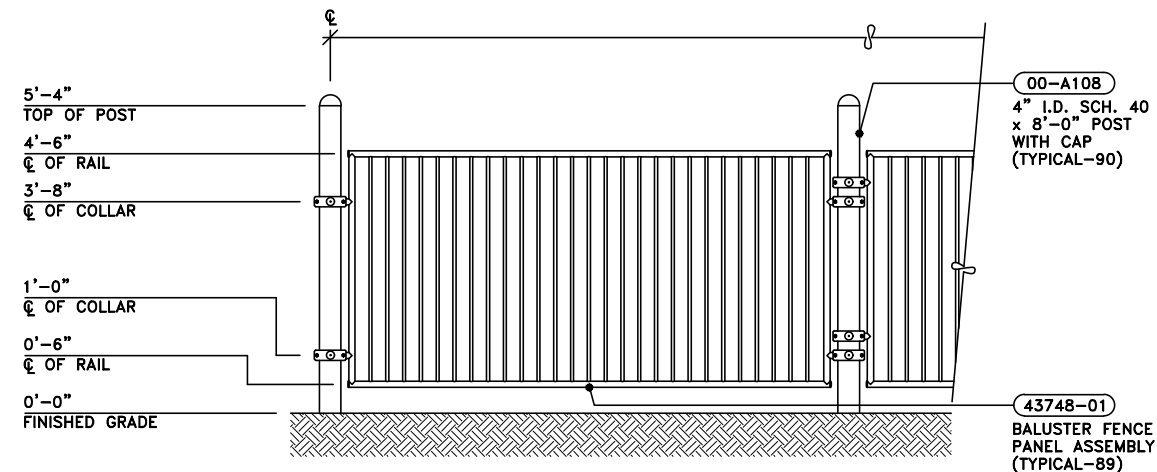
SLIDE GATE CONCEPT
NTS

ALASKA RAILROAD CORPORATION		
ENGINEERING SERVICES P.O. BOX 107500, ANCHORAGE, ALASKA 99510-7500		
PROJECT : 2021 TRANSIT SECURITY DEPOT DRIVE TRESPASSING FENCE		
TITLE: PLAN		
DESIGNED BY: RJB	SCALE : AS NOTED	AFE NO.: 11917
DRAWN BY: RJB	DATE : June 3, 2021	DWG NO.
CHECKED BY: DJR		2 OF 3
APPROVED BY: BAO		

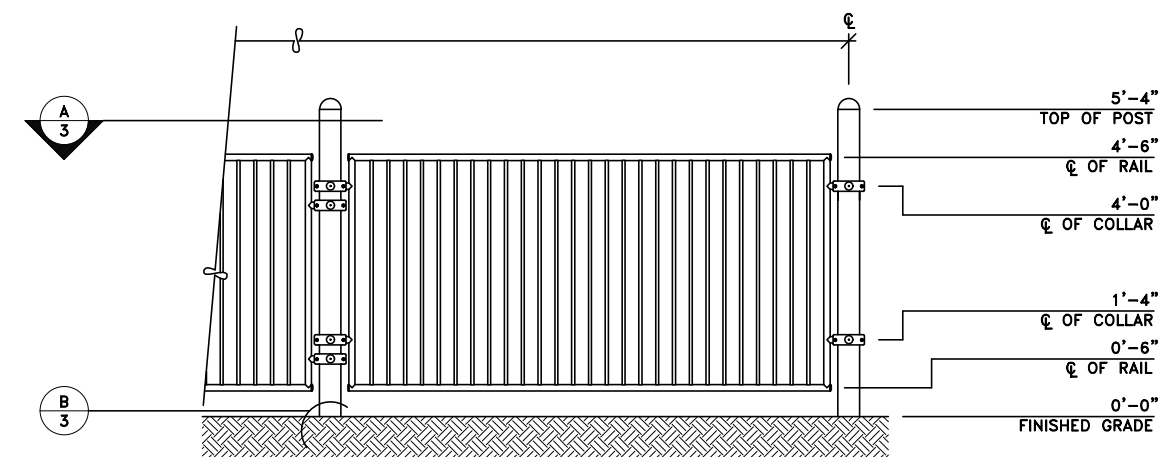
P:\Projects\Capital Projects\2021\Municipality of Anchorage\Anchorage_Depot_Fence\01 - PRE CONSTRUCTION\Drawings\Depot_Fence_Planning\Plan_Fig1.dwg



TYPICAL FENCE PANEL PLAN VIEW
SCALE: 3/8"=1'-0"



TYPICAL FENCE PANEL ELEVATION
SCALE: 3/8"=1'-0"



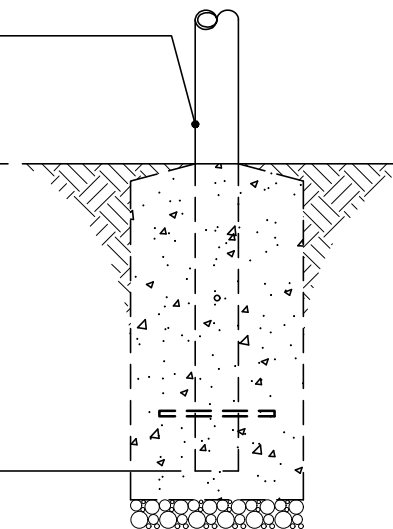
TYPICAL FENCE PANEL ELEVATION (INVERTED)
SCALE: 3/8"=1'-0"

00-A108
4" I.D. SCH. 40
x 8'-0" POST
WITH CAP

0'-0"
FINISHED GRADE

NOTE:
CONCRETE FOOTING AND NO. 4
REBAR (BY OTHERS) PER LOCAL
SOIL CONDITIONS, CONSULT
PROJECT ENGINEER FOR EXACT
REQUIREMENTS.

-(2'-8")
BOTTOM OF POST



TYPICAL POST BURIAL DETAIL
SCALE: 3/4"=1'-0"

NOTES:

- FURNISH AND INSTALL FENCE MATCHING THE DETAILS PROVIDED ON THIS SHEET, OR APPROVED EQUAL. FENCE DEPICTED IS: COLUMBIA CASCADE COMPANY, PIPELINE FENCE, MODEL NO. 1613-21-48-PL-M (ITEM 1), BALUSTER WALL FENCE WITH POSTS.

ALASKA RAILROAD CORPORATION
ENGINEERING SERVICES

P.O. BOX 107500, ANCHORAGE, ALASKA 99510-7500

PROJECT :
2021 TRANSIT SECURITY
DEPOT DRIVE TRESPASSING FENCE

TITLE:
DETAILS

DESIGNED BY: RJB	SCALE : AS NOTED	AFE NO.: 11917
DRAWN BY: RJB	DATE : June 3, 2021	DWG NO.
CHECKED BY: DJR		3 OF 3
APPROVED BY: BAO		