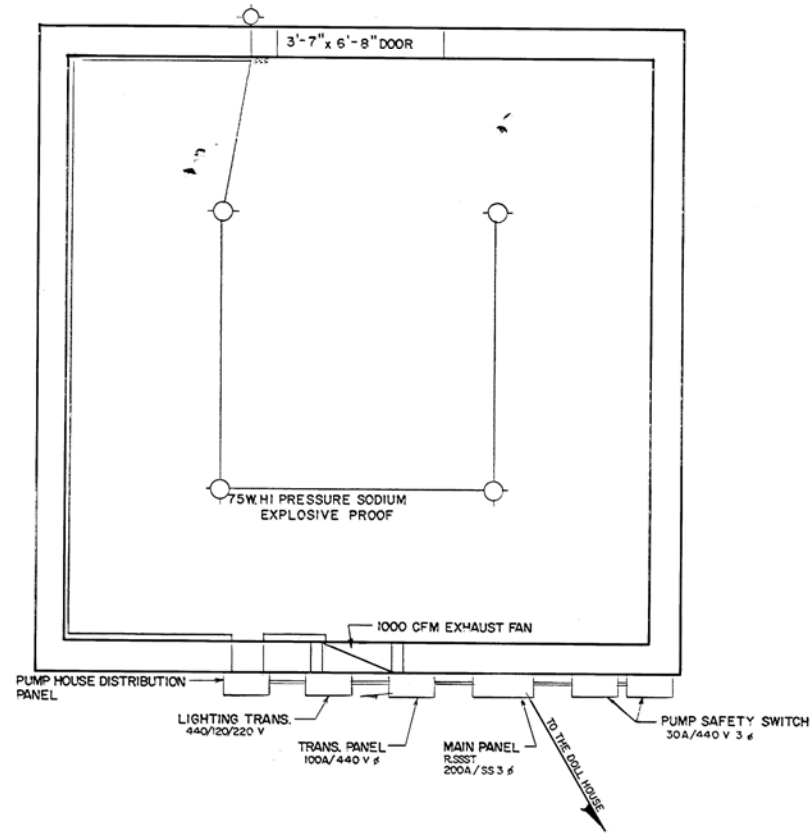
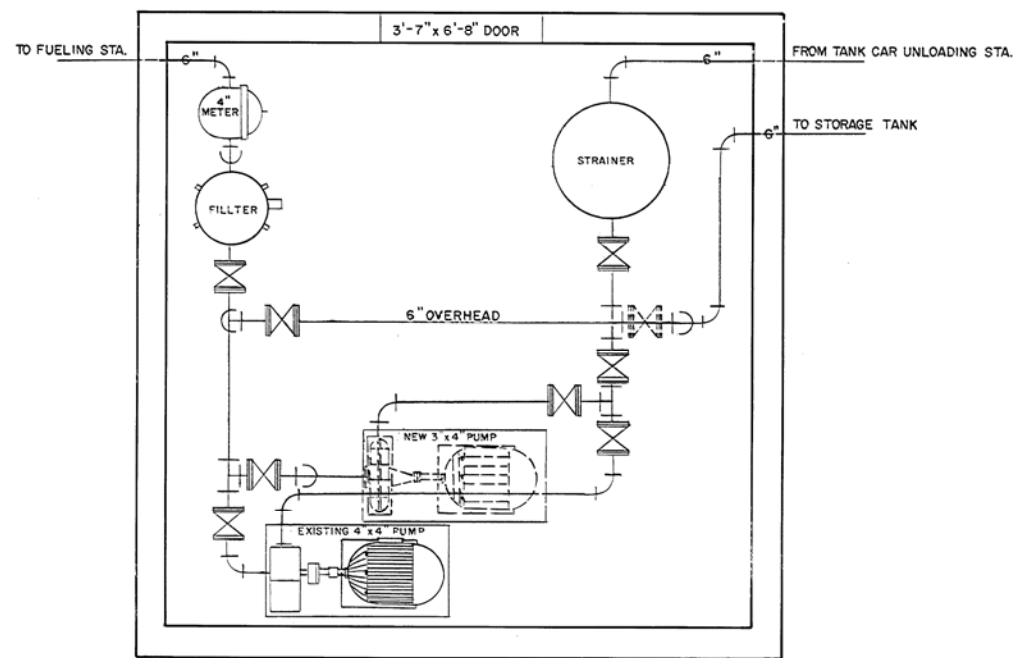


TRACK SIDE OF BLDG.



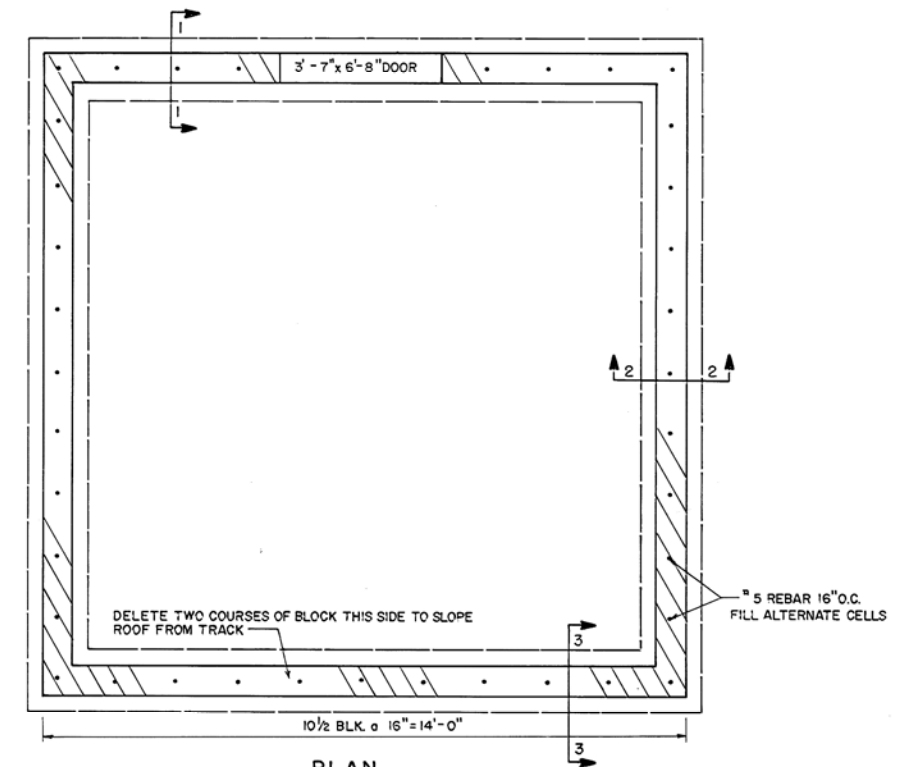
TRACK SIDE OF BLDG.



NOTE:
ALL VALVES TO BE 6" QUICK CLOSING BUTTERFLY VALVES

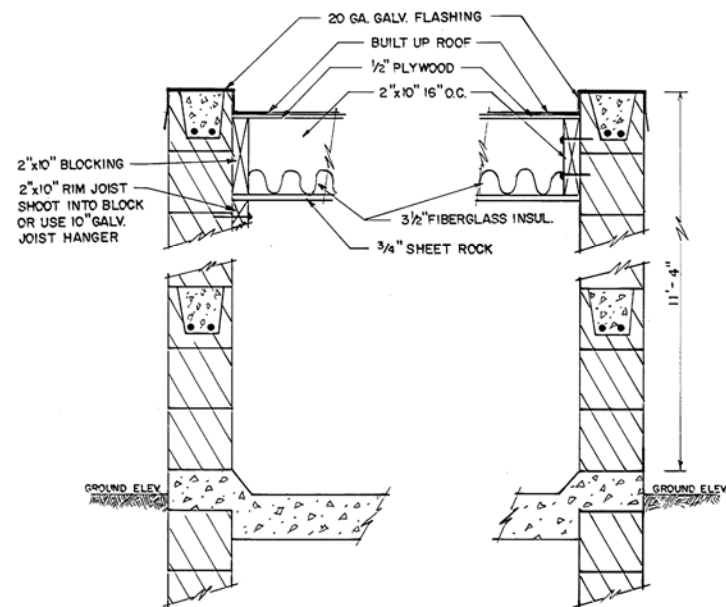
PLAN VIEW - PIPING

TRACK SIDE OF BLDG.



NOTE:
DELETE 2 EA. HALF-BLOCKS @ FLOOR LEVEL EACH SIDE FOR VENTILATION

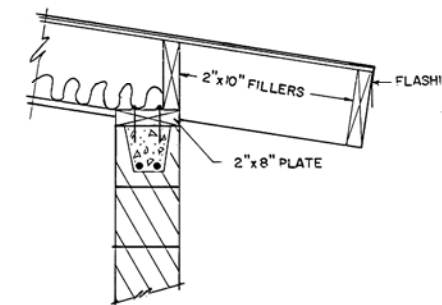
PLAN
SCALE: 1/2" = 1'-0"



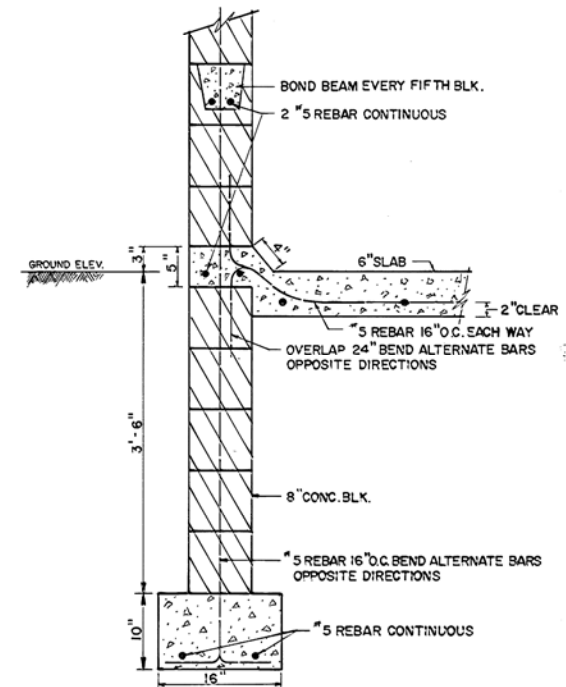
SECTION 1-1

SECTION 2-2

SCALE: 1" = 1'-0"



SECTION 3-3



FOOTING DETAIL
SCALE: 1" = 1'-0"

U.S. DEPARTMENT OF TRANSPORTATION
THE ALASKA RAILROAD
OFFICE OF THE CHIEF ENGINEER

ANCHORAGE FUELING STATION

DRAWN BY: <i>[Signature]</i>	SCALE: AS SHOWN DATE: 8/78
APPROVED BY: _____	SHEET 2 of 8
CHIEF ENGINEER	FILE No. 3718.03